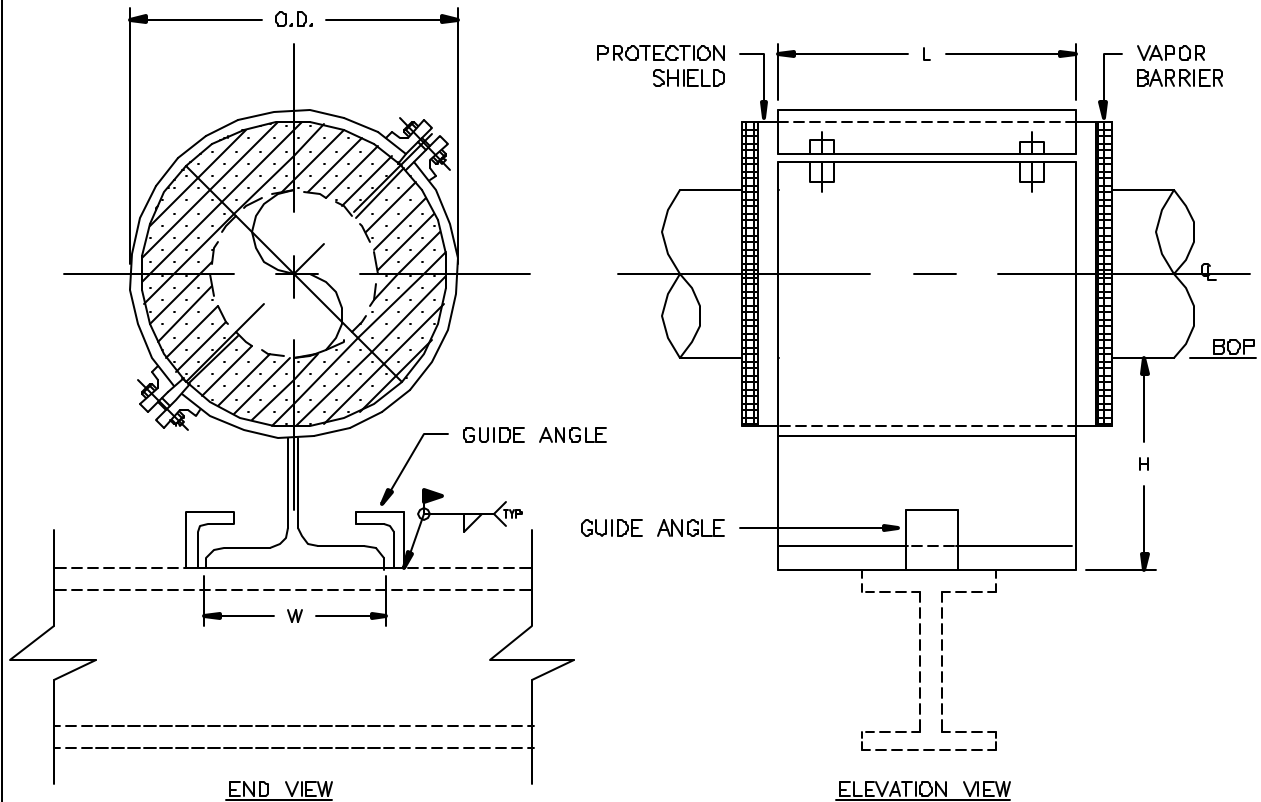


SPECIFICATIONS

INSULATION THK: _____
 SHOE LENGTH: _____
 LOADS: VERTICAL _____
 LATERAL _____
 AXIAL _____
 TEMPERATURE: _____



Design: PT&P 6/2/1999 1:33 PM HS-4011

NOTES

		FIGURE#: HS-4011 DESCRIPTION: GUIDED SHOES, SPLIT-T BASE, 360' INS., WITH BOLTS
FUNCTION:	USE TO SUPPORT VERTICAL LOADS WHILE PREVENTING LATERAL MOVEMENT.	CLIENT NAME: _____ PROJECT NAME: _____ REQUISITION#: _____ P.O.#: _____ DWG#: _____ MARK#: _____ FT&P JOB#: _____ ITEM#: _____ DATE: _____
PIPE SIZE:	1/2" TO 6" NPS.	PIPING TECHNOLOGY & PRODUCTS, INC. P.O. BOX 34506 HOUSTON TEXAS 77234 3701 HOLMES RD. HOUSTON TEXAS 77051 TELE#:(713)731-0030 FAX#:(713)731-8640 http://www.pipingtech.com/ E-MAIL: info@pipingtech.com
MATERIAL:	GALVANIZED OR HDG CARBON STEEL	
INSULATION:	HIGH DENSITY CALCIUM SILICATE	
TEMP. RANGE:	AMBIENT TO 1200°F	
LAYERING SY:	SEE LAYERING CHARTS	
SHOE LTH.(L):	STANDARD SHOE AVAILABLE IN 12" & 18" LENGTHS	
TO ORDER:	SPECIFY PIPE SIZE, INSULATION THK., LENGTH HENCE: (HS-4011)-NPS-THK.-L	
LOADS:	ALL LOADS ON ADJACENT CHART HAVE A SAFETY FACTOR OF 5	



10" Clamped Hotshoes in Fabrication

Pipe size	L=12" Vertical Load(lbs)	L=18" Vertical Load(lbs)	Insulation Thickness								
			1"			1-1/2"			2"		
			W	O.D.	H	W	O.D.	H	W	O.D.	H
1/2"	70	139	3"	3-1/8"	4"	3"	4-1/4"	4"	3"	5-1/4"	4"
3/4"	87	174	3"	3-1/8"	4"	3"	4-1/4"	4"	3"	5-1/4"	4"
1"	109	218	3"	3-3/4"	4"	3"	4-3/4"	4"	3"	5-13/16"	4"
1-1/4"	138	275	3"	3-3/4"	4"	3"	5-1/4"	4"	3"	5-13/16"	4"
1-1/2"	158	315	3"	4-1/4"	4"	3"	5-1/4"	4"	3"	6-7/8"	4"
2"	197	394	4"	5"	4"	4"	6-1/16"	4"	4"	7-1/4"	4"
2-1/2"	238	477	4"	5-1/2"	4"	4"	7-1/8"	4"	4"	8-1/8"	4"
3"	290	580	4"	6-1/16"	4"	4"	7-1/8"	4"	4"	8-1/8"	4"
3-1/2"	332	663	4"	7-1/8"	4"	4"	8-1/8"	4"	4"	9-1/8"	4"
4"	373	746	4"	7-1/8"	4"	4"	8-1/8"	4"	4"	9-1/8"	4"
5"	461	922	4"	8-1/8"	4"	4"	9-1/8"	4"	4"	10-1/8"	4"
6"	549	1098	6"	9-15/16"	4"	6"	10-3/8"	4"	6"	11-1/2"	4"

Pipe size	L=12" Vertical Load(lbs)	L=18" Vertical Load(lbs)	Insulation Thickness											
			2-1/2"			3"			3-1/2"			4"		
			W	O.D.	H	W	O.D.	H	W	O.D.	H	W	O.D.	H
1/2"	70	139	3"	6-7/8"	4"	3"	7-7/8"	6"	3"	8-7/8"	6"	3"	9-7/8"	6"
3/4"	87	174	3"	6-7/8"	4"	3"	7-7/8"	6"	3"	8-7/8"	6"	3"	9-7/8"	6"
1"	109	218	3"	6-7/8"	4"	3"	7-7/8"	6"	3"	8-7/8"	6"	3"	9-7/8"	6"
1-1/4"	138	275	3"	6-7/8"	4"	3"	7-7/8"	6"	3"	8-7/8"	6"	3"	9-7/8"	6"
1-1/2"	158	315	3"	7-7/8"	4"	3"	8-7/8"	6"	3"	9-7/8"	6"	3"	11"	6"
2"	197	394	4"	8-1/8"	4"	4"	9-1/8"	6"	4"	10-1/8"	6"	4"	11-1/4"	6"
2-1/2"	238	477	4"	9-1/8"	4"	4"	10-1/8"	6"	4"	11-1/4"	6"	4"	12-1/4"	6"
3"	290	580	4"	9-1/8"	4"	4"	10-1/8"	6"	4"	11-1/4"	6"	4"	12-1/4"	6"
3-1/2"	332	663	4"	10-1/8"	4"	4"	11-1/4"	6"	4"	12-1/4"	6"	4"	13-1/4"	6"
4"	373	746	4"	10-1/8"	4"	4"	11-1/4"	6"	4"	12-1/4"	6"	4"	13-1/4"	6"
5"	461	922	4"	11-1/4"	4"	4"	12-1/4"	6"	4"	13-1/4"	6"	4"	14-1/2"	6"
6"	549	1098	6"	12-1/2"	4"	6"	13-1/2"	6"	6"	14-3/4"	6"	6"	15-3/4"	6"