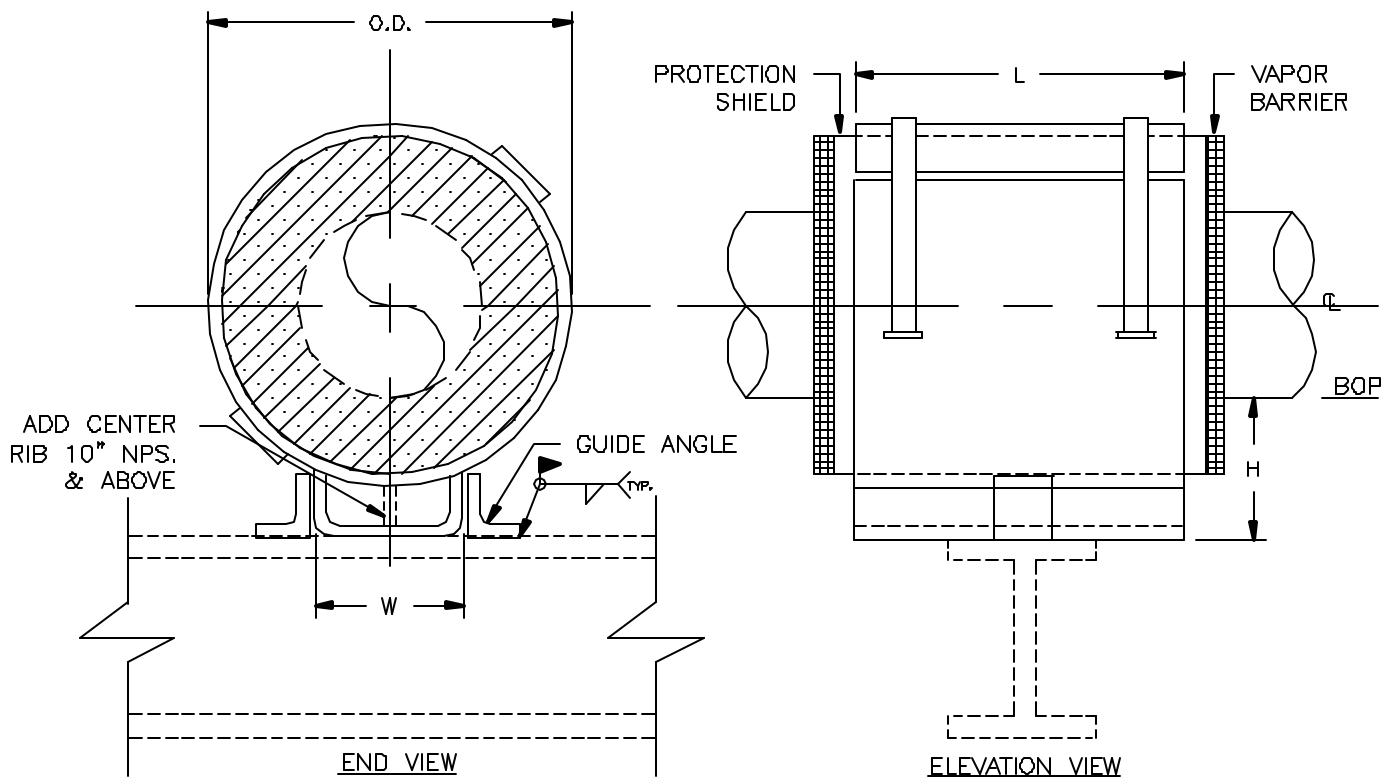


SPECIFICATIONS

INSULATION THK: _____
 SHOE LENGTH: _____
 LOADS: VERTICAL _____
 LATERAL _____
 AXIAL _____
 TEMPERATURE: _____



Design: PT&P 6/2/1999 10:06 PM HS-1021

NOTES

FIGURE#: HS-4021
 DESCRIPTION GUIDED SHOES, U-TYPE BASE, 360' INS., WITH BANDSTRAPS

| | |
|---------------|---|
| FUNCTION: | USE TO SUPPORT VERTICAL LOADS WHILE PREVENTING LATERAL MOVEMENT. - - - - - |
| PIPE SIZE: | 8" TO 20" NPS. |
| MATERIAL: | GALVANIZED OR HDG CARBON STEEL |
| INSULATION: | HIGH DENSITY CALCIUM SILICATE - |
| TEMP. RANGE: | AMBIENT TO 1200°F |
| LAYERING SY.: | SEE LAYERING CHARTS |
| SHOE LTH.(L): | STANDARD SHOE AVAILABLE IN 12" & 18" LENGTHS |
| TO ORDER: | SPECIFY PIPE SIZE, INSULATION THK., LENGTH HENCE: (HS-4021)-NPS-THK.-L |
| LOADS: | ALL LOADS ON ADJACENT CHART HAVE A SAFETY FACTOR OF 5 |

CLIENT NAME: _____
 PROJECT NAME: _____
 REQUISITION#: _____
 P O #: _____
 DWG#: _____
 MARK#: _____
 PT&P JOB#: _____ ITEM#: _____
 DATE: _____

PIPING TECHNOLOGY & PRODUCTS, INC.

P.O. BOX 34506 HOUSTON TEXAS 77234
 3701 HOLMES RD. HOUSTON TEXAS 77051
 TELE#:(713)731-0030 FAX#:(713)731-8640
<http://www.pipingtech.com/> E-MAIL: info@pipingtech.com





Hotshoes being assembled for Shipment

| Pipe size | L=12" Vertical Load(lbs) | L=18" Vertical Load(lbs) | Insulation Thickness | | | | | | | | |
|-----------|-----------------------------|-----------------------------|----------------------|-----------|----|--------|---------|----|---------|---------|----|
| | | | 1" | | | 1-1/2" | | | 2" | | |
| | | | W | O.D. | H | W | O.D. | H | W | O.D. | H |
| 8" | 715 | 1430 | 6-1/2" | 11-1/2" | 4" | 7" | 12-1/2" | 4" | 7-1/2" | 13-1/2" | 4" |
| 10" | 1782 | 2673 | 7-1/2" | 13-1/2" | 4" | 8-1/8" | 14-3/4" | 4" | 8-5/8" | 15-3/4" | 4" |
| 12" | 2114 | 3171 | 8-1/2" | 13-15/16" | 4" | 9-1/8" | 16-3/4" | 4" | 9-5/8" | 17-3/4" | 4" |
| 14" | 2321 | 3482 | 9-1/2" | 17" | 4" | 10" | 18" | 4" | 10-1/2" | 19" | 4" |
| 16" | 2653 | 3979 | 10-1/2" | 19" | 4" | 11" | 20" | 4" | 11-1/2" | 21" | 4" |
| 18" | 2984 | 4476 | 11-1/2" | 21" | 4" | 12" | 22" | 4" | 12-1/2" | 23" | 4" |
| 20" | 3316 | 4974 | 12-1/2" | 23" | 4" | 13" | 24" | 4" | 13-1/2" | 25" | 4" |

| Pipe size | L=12" Vertical Load(lbs) | L=18" Vertical Load(lbs) | Insulation Thickness | | | | | | | | | | | |
|-----------|-----------------------------|-----------------------------|----------------------|---------|----|---------|---------|----|---------|---------|----|---------|---------|----|
| | | | 2-1/2" | | | 3" | | | 3-1/2" | | | 4" | | |
| | | | W | O.D. | H | W | O.D. | H | W | O.D. | H | W | O.D. | H |
| 8" | 715 | 1430 | 8-1/8" | 14-3/4" | 4" | 8-5/8" | 15-3/4" | 6" | 9-1/8" | 16-3/4" | 6" | 9-5/8" | 17-3/4" | 6" |
| 10" | 1782 | 2673 | 9-1/8" | 16-3/4" | 4" | 9-5/8" | 17-3/4" | 6" | 10-1/8" | 18-3/4" | 6" | 10-5/8" | 19-3/4" | 6" |
| 12" | 2114 | 3171 | 10-1/8" | 18-3/4" | 4" | 10-5/8" | 19-3/4" | 6" | 11-1/8" | 20-3/4" | 6" | 11-5/8" | 21-3/4" | 6" |
| 14" | 2321 | 3482 | 11" | 20" | 4" | 11-1/2" | 21" | 6" | 12" | 22" | 6" | 12-1/2" | 23" | 6" |
| 16" | 2653 | 3979 | 12" | 22" | 6" | 12-1/2" | 23" | 6" | 13" | 24" | 6" | 13-1/2" | 25" | 6" |
| 18" | 2984 | 4476 | 13" | 24" | 6" | 13-1/2" | 25" | 6" | 14" | 26" | 6" | 14-1/2" | 27" | 6" |
| 20" | 3316 | 4974 | 14" | 26" | 6" | 14-1/2" | 27" | 6" | 15" | 28" | 6" | 15-1/2" | 29" | 6" |