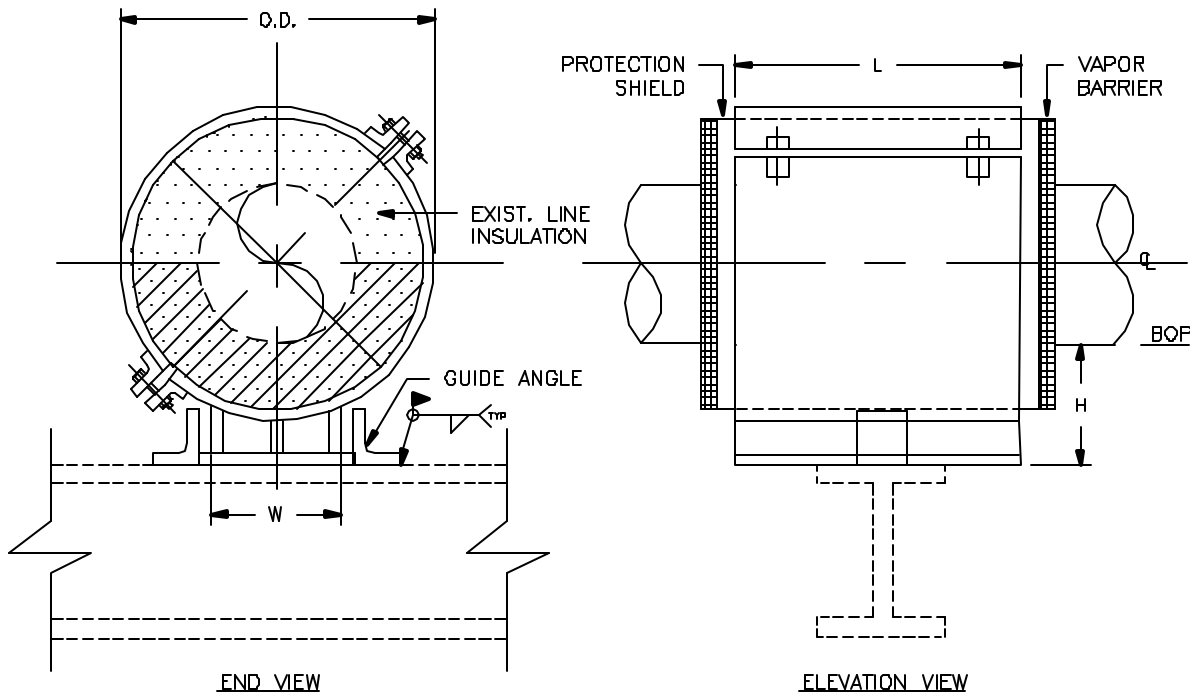


**SPECIFICATIONS**

INSULATION THK: \_\_\_\_\_  
 SHOE LENGTH: \_\_\_\_\_  
 LOADS: VERTICAL \_\_\_\_\_  
       LATERAL \_\_\_\_\_  
       AXIAL \_\_\_\_\_  
 TEMPERATURE: \_\_\_\_\_



Design, PTP 6/2/1999 3:29 PM HS-4030

**NOTES**

FUNCTION:	USE TO SUPPORT VERTICAL LOADS WHILE PREVENTING LATERAL MOVEMENT.
PIPE SIZE:	24" TO 42" NPS.
MATERIAL:	GALVANIZED OR HDG CARBON STEEL
INSULATION:	HIGH DENSITY CALCIUM SILICATE
TEMP RANGE:	AMBIENT TO 1200°F
LAYERING SY.:	SEE LAYERING CHARTS
SHOE LTH.(L):	STANDARD SHOE AVAILABLE IN 12" & 18" LENGTHS
TO ORDER:	SPECIFY PIPE SIZE, INSULATION THK., LENGTH HENCE (HS-4030)-NPS-THK.-L
LOADS:	ALL LOADS ON ADJACENT CHART HAVE A SAFETY FACTOR OF 5

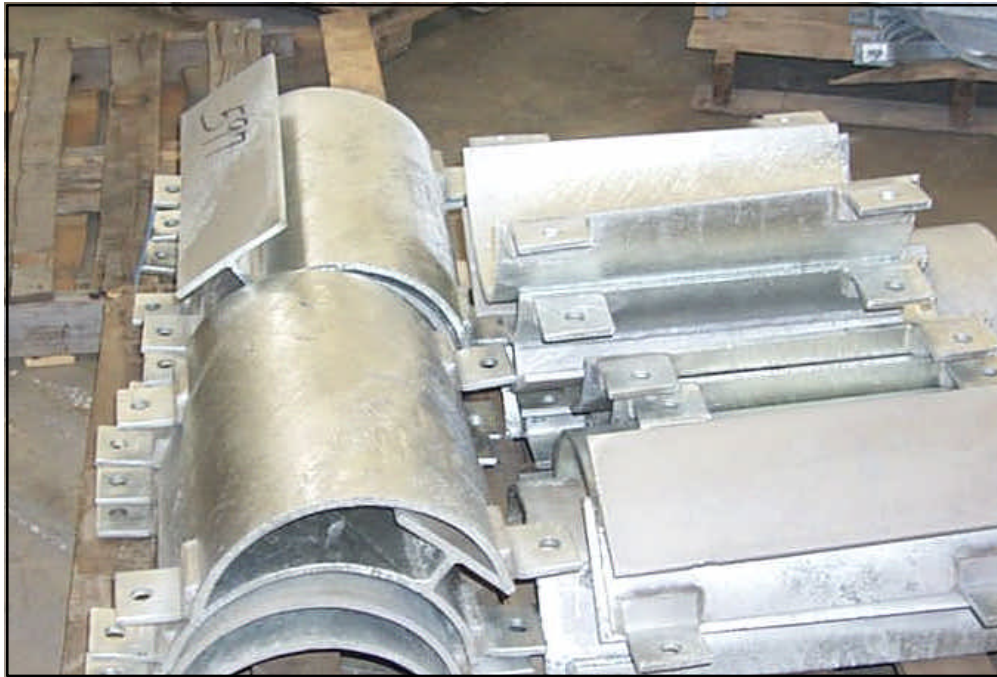
FIGURE#: HS-4030  
 DESCRIPTION: GUIDED SHOES, DOUBLE-T-BASE, 180° INS., WITH BANDSTRAPS

CLIENT NAME: \_\_\_\_\_  
 PROJECT NAME: \_\_\_\_\_  
 REQUISITION#: \_\_\_\_\_  
 P.O.#: \_\_\_\_\_  
 DWG#: \_\_\_\_\_  
 MARK#: \_\_\_\_\_  
 PT&P JOB#: \_\_\_\_\_ ITEM#: \_\_\_\_\_  
 DATE: \_\_\_\_\_

**PIPING TECHNOLOGY & PRODUCTS, INC.**

P.O. BOX 34506 HOUSTON TEXAS 77234  
 3701 HOLMES RD. HOUSTON TEXAS 77051  
 TELE#:(713)731-0030 FAX#:(713)731-8640  
<http://www.pipingtech.com/> E-MAIL: info@pipingtech.com





Lower Portion of the Pre-Insulated Shoes

Pipe size	L=12" Vertical Load(lbs)	L=18" Vertical Load(lbs)	Insulation Thickness								
			1"			1-1/2"			2"		
			W	O.D.	H	W	O.D.	H	W	O.D.	H
24"	5969	7958	14-1/2"	27"	4"	15"	28"	4"	15-1/2"	29"	4"
26"	6466	8621	16-1/4"	29-1/2"	4"	16-3/4"	30-1/2"	4"	17-1/4"	31-1/2"	4"
28"	6963	9284	17-1/4"	31-1/2"	4"	17-3/4"	32-1/2"	4"	18-1/4"	33-1/2"	4"
30"	7461	9948	18-1/4"	33-1/2"	4"	18-3/4"	34-1/2"	4"	19-1/4"	35-1/2"	4"
32"	7958	10611	19-1/4"	35-1/2"	4"	19-3/4"	36-1/2"	4"	20-1/4"	37-1/2"	4"
34"	8455	11274	20-1/4"	37-1/2"	4"	20-3/4"	38-1/2"	4"	21-1/4"	39-1/2"	4"
36"	8953	11937	21-1/4"	39-1/2"	4"	21-3/4"	40-1/2"	4"	22-1/4"	41-1/2"	4"
40"	9948	13263	23-1/4"	43-1/2"	4"	23-3/4"	44-1/2"	4"	24-1/4"	45-1/2"	4"
42"	10445	13927	24-1/4"	45-1/2"	4"	24-3/4"	46-1/2"	4"	25-1/4"	47-1/2"	4"

Pipe size	L=12" Vertical Load(lbs)	L=18" Vertical Load(lbs)	Insulation Thickness											
			2-1/2"			3"			3-1/2"			4"		
			W	O.D.	H	W	O.D.	H	W	O.D.	H	W	O.D.	H
24"	5969	7958	16"	30"	6"	16-1/2"	31"	6"	17"	32"	6"	17-1/2"	33"	6"
26"	6466	8621	17-3/4"	32-1/2"	6"	18-1/4"	33-1/2"	6"	18-3/4"	34-1/2"	6"	19-1/4"	35-1/2"	6"
28"	6963	9284	18-3/4"	34-1/2"	6"	19-1/4"	35-1/2"	6"	19-3/4"	36-1/2"	6"	20-1/4"	37-1/2"	6"
30"	7461	9948	19-3/4"	36-1/2"	6"	20-1/4"	37-1/2"	6"	20-3/4"	38-1/2"	6"	21-1/4"	39-1/2"	6"
32"	7958	10611	20-3/4"	38-1/2"	6"	21-1/4"	39-1/2"	6"	21-3/4"	40-1/2"	6"	22-1/4"	41-1/2"	6"
34"	8455	11274	21-3/4"	40-1/2"	6"	22-1/4"	41-1/2"	6"	22-3/4"	42-1/2"	6"	23-1/4"	43-1/2"	6"
36"	8953	11937	22-3/4"	42-1/2"	6"	23-1/4"	43-1/2"	6"	23-3/4"	44-1/2"	6"	24-1/4"	45-1/2"	6"
40"	9948	13263	24-3/4"	46-1/2"	6"	25-1/4"	47-1/2"	6"	25-3/4"	48-1/2"	6"	26-1/4"	49-1/2"	6"
42"	10445	13927	25-3/4"	48-1/2"	6"	26-1/4"	49-1/2"	6"	26-3/4"	50-1/2"	6"	27-1/4"	51-1/2"	6"