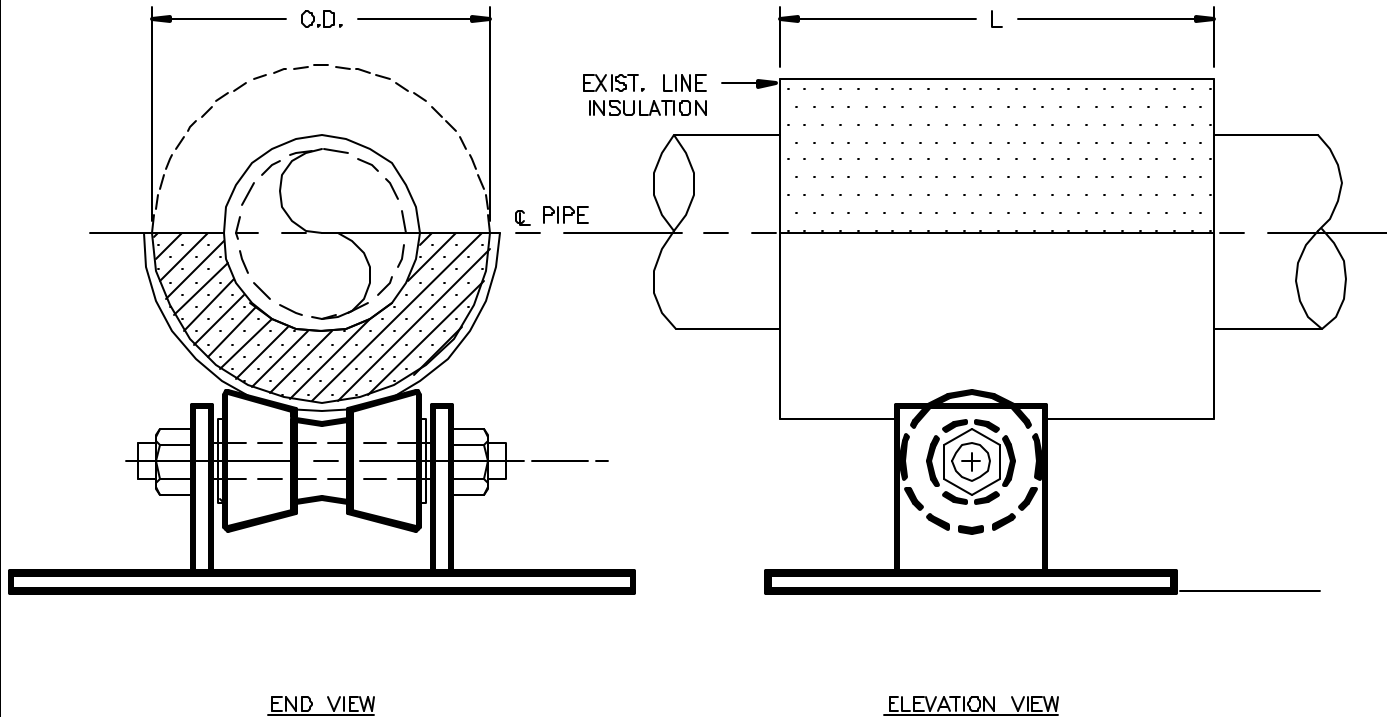



SPECIFICATIONS

| | |
|-----------------|-------|
| INSULATION THK: | _____ |
| SHOE LENGTH: | _____ |
| LOADS: VERTICAL | _____ |
| | _____ |
| LATERAL | _____ |
| AXIAL | _____ |
| TEMPERATURE: | _____ |



Design. PT&P 6/2/1999 2:16 PM HS-6040

NOTES

| | |
|--|---|
| | FIGURE#: HS-6040 DESCRIPTION: MISCELLANEOUS SHOES, ROLLER TYPE |
| FUNCTION: USE TO SUPPORT VERTICAL MOVEMENT WHILE ALLOWING AXIAL MOVEMENT. - - - - - | CLIENT NAME: _____ PROJECT NAME: _____ REQUISITION#: _____ P.O.#: _____ DWG#: _____ MARK#: _____ PT&P JOB#: _____ ITEM#: _____ DATE: _____ |
| PIPE SIZE: 1/2" TO 42" NPS. MATERIAL: GALVANIZED OR HDG CARBON STEEL INSULATION: HIGH DENSITY CALCIUM SILICATE - TEMP. RANGE: AMBIENT TO 1200°F LAYERING SY.: SEE LAYERING CHARTS SHOE LTH,(L): STANDARD SHOE AVAILABLE IN 12" & 18" LENGTHS | <div style="display: flex; justify-content: space-between;"> <div> <p>PIPING TECHNOLOGY & PRODUCTS, INC.</p> <p>P.O. BOX 34506 3701 HOLMES RD. TELE#:(713)731-0030 http://www.pipingtech.com/</p> </div> <div> <p>HOUSTON TEXAS 77234 HOUSTON TEXAS 77051 FAX#.(713)731-8640 E-MAIL: info@pipingtech.com</p> </div> <div style="text-align: right;">  </div> </div> |
| TO ORDER: SPECIFY PIPE SIZE, INSULATION THK., LENGTH HENCE. (HS-6040)-NPS-THK.-L LOADS: ALL LOADS ON ADJACENT CHART HAVE A SAFETY FACTOR OF 5 | |



Hotshoe Packed for Shipment

| Pipe size | L=12" Vertical Load(lbs) | L=18" Vertical Load(lbs) | Insulation thickness | | | | | | | |
|-----------|-----------------------------|-----------------------------|----------------------|---------|----------|---------|---------|---------|---------|--|
| | | | 1" | 1-1/2" | 2" | 2-1/2" | 3" | 3-1/2" | 4" | |
| | | | O.D. | O.D. | O.D. | O.D. | O.D. | O.D. | O.D. | |
| 1/2" | 70 | 139 | 3-1/8" | 4-1/4" | 5-1/4" | 6-7/8" | 7-7/8" | 8-7/8" | 9-7/8" | |
| 3/4" | 87 | 174 | 3-1/8" | 4-1/4" | 5-1/4" | 6-7/8" | 7-7/8" | 8-7/8" | 9-7/8" | |
| 1" | 109 | 218 | 3-3/4" | 4-3/4" | 5-13/16" | 6-7/8" | 7-7/8" | 8-7/8" | 9-7/8" | |
| 1-1/4" | 138 | 275 | 3-3/4" | 5-1/4" | 5-13/16" | 6-7/8" | 7-7/8" | 8-7/8" | 9-7/8" | |
| 1-1/2" | 158 | 315 | 4-1/4" | 5-1/4" | 6-7/8" | 7-7/8" | 8-7/8" | 9-7/8" | 11" | |
| 2" | 197 | 394 | 5" | 6-1/16" | 7-1/4" | 8-1/8" | 9-1/8" | 10-1/8" | 11-1/4" | |
| 2-1/2" | 238 | 477 | 5-1/2" | 7-1/8" | 8-1/8" | 9-1/8" | 10-1/8" | 11-1/4" | 12-1/4" | |
| 3" | 290 | 580 | 6-1/16" | 7-1/8" | 8-1/8" | 9-1/8" | 10-1/8" | 11-1/4" | 12-1/4" | |
| 3-1/2" | 332 | 663 | 7-1/8" | 8-1/8" | 9-1/8" | 10-1/8" | 11-1/4" | 12-1/4" | 13-1/4" | |
| 4" | 373 | 746 | 7-1/8" | 8-1/8" | 9-1/8" | 10-1/8" | 11-1/4" | 12-1/4" | 13-1/4" | |
| 5" | 461 | 922 | 8-1/8" | 9-1/8" | 10-1/8" | 11-1/4" | 12-1/4" | 13-1/4" | 14-1/2" | |
| 6" | 549 | 1098 | 9-15/16" | 10-3/8" | 11-1/2" | 12-1/2" | 13-1/2" | 14-3/4" | 15-3/4" | |
| 8" | 715 | 1430 | 11-1/2" | 12-1/2" | 13-1/2" | 14-3/4" | 15-3/4" | 16-3/4" | 17-3/4" | |
| 10" | 1782 | 2673 | 13-1/2" | 14-3/4" | 15-3/4" | 16-3/4" | 17-3/4" | 18-3/4" | 19-3/4" | |
| 12" | 2114 | 3171 | 13-15/16" | 16-3/4" | 17-3/4" | 18-3/4" | 19-3/4" | 20-3/4" | 21-3/4" | |
| 14" | 2321 | 3482 | 17" | 18" | 19" | 20" | 21" | 22" | 23" | |
| 16" | 2653 | 3979 | 19" | 20" | 21" | 22" | 23" | 24" | 25" | |
| 18" | 2984 | 4476 | 21" | 22" | 23" | 24" | 25" | 26" | 27" | |
| 20" | 3316 | 4974 | 23" | 24" | 25" | 26" | 27" | 28" | 29" | |
| 24" | 5969 | 7958 | 27" | 28" | 29" | 30" | 31" | 32" | 33" | |
| 26" | 6466 | 8621 | 29-1/2" | 30-1/2" | 31-1/2" | 32-1/2" | 33-1/2" | 34-1/2" | 35-1/2" | |
| 28" | 6963 | 9284 | 31-1/2" | 32-1/2" | 33-1/2" | 34-1/2" | 35-1/2" | 36-1/2" | 37-1/2" | |
| 30" | 7461 | 9948 | 33-1/2" | 34-1/2" | 35-1/2" | 36-1/2" | 37-1/2" | 38-1/2" | 39-1/2" | |
| 32" | 7958 | 10611 | 35-1/2" | 36-1/2" | 37-1/2" | 38-1/2" | 39-1/2" | 40-1/2" | 41-1/2" | |
| 34" | 8455 | 11274 | 37-1/2" | 38-1/2" | 39-1/2" | 40-1/2" | 41-1/2" | 42-1/2" | 43-1/2" | |
| 36" | 8953 | 11937 | 39-1/2" | 40-1/2" | 41-1/2" | 42-1/2" | 43-1/2" | 44-1/2" | 45-1/2" | |
| 40" | 9948 | 13263 | 43-1/2" | 44-1/2" | 45-1/2" | 46-1/2" | 47-1/2" | 48-1/2" | 49-1/2" | |
| 42" | 10445 | 13927 | 45-1/2" | 46-1/2" | 47-1/2" | 48-1/2" | 49-1/2" | 50-1/2" | 51-1/2" | |