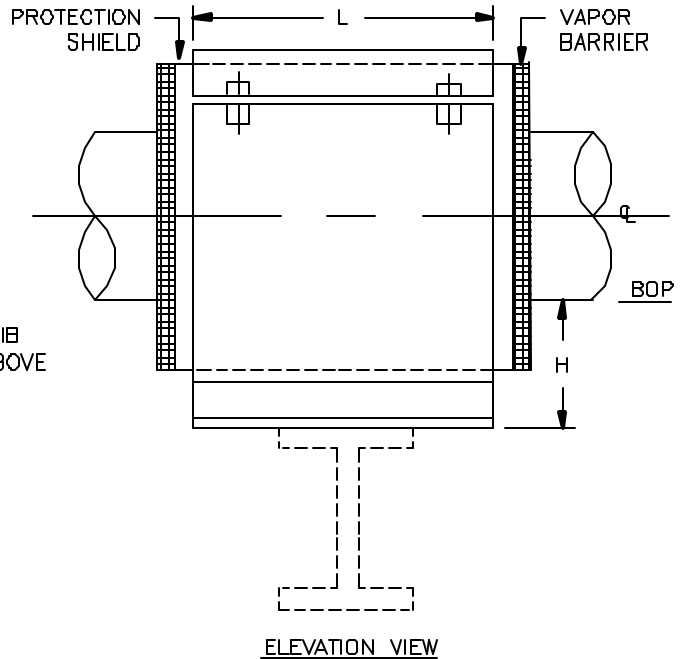
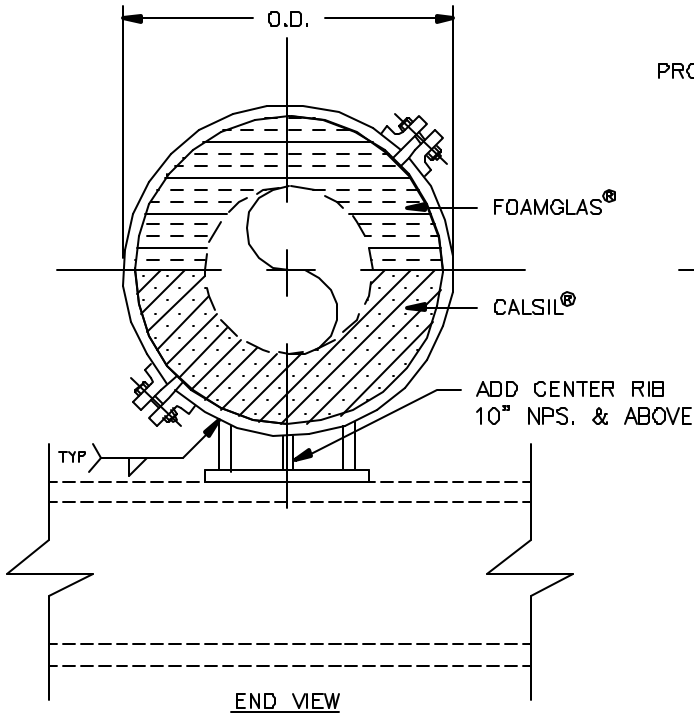


## SPECIFICATIONS

INSULATION THK: \_\_\_\_\_  
 SHOE LENGTH: \_\_\_\_\_  
 LOADS: VERTICAL \_\_\_\_\_  
           LATERAL \_\_\_\_\_  
           AXIAL \_\_\_\_\_  
 TEMPERATURE: \_\_\_\_\_



Design, PT&P 6/2/1999 2:26 PM HS-6060

## NOTES

FIGURE#: HS-6060  
 DESCRIPTION: MISCELLANEOUS SHOES, FOAMGLAS®  
 CALSIL® HYBRID SHOE

CLIENT NAME: \_\_\_\_\_  
 PROJECT NAME: \_\_\_\_\_  
 REQUISITION#: \_\_\_\_\_  
 P.O.#: \_\_\_\_\_  
 DWG#: \_\_\_\_\_  
 MARK#: \_\_\_\_\_  
 PT&P JOB#: \_\_\_\_\_ ITEM#: \_\_\_\_\_  
 DATE: \_\_\_\_\_

FUNCTION:	USE TO SUPPORT VERTICLE LOADS. - - - - -
PIPE SIZE:	1/2" TO 42" NPS.
MATERIAL:	GALVANIZED OR HDG CARBON STEEL
INSULATION:	FOAMGLAS® HIGH DENSITY CALCIUM SILICATE -
TEMP RANGE:	AMBIENT TO 1200°F
LAYERING SY.:	SEE LAYERING CHARTS
SHOE LTH.(L):	STANDARD SHOE AVAILABLE IN 12" & 18" LENGTHS
TO ORDER:	SPECIFY PIPE SIZE, INSULATION THK., LENGTH HENCE (HS-6060)-NPS-THK-L
LOADS:	ALL LOADS ON ADJACENT CHART HAVE A SAFETY FACTOR OF 5

## PIPING TECHNOLOGY & PRODUCTS, INC.

P.O. BOX 34506                      HOUSTON TEXAS 77234  
 3701 HOLMES RD.                    HOUSTON TEXAS 77051  
 TELE#:(713)731-0030                FAX#:(713)731-8640  
<http://www.pipingtech.com/>        E-MAIL: info@pipingtech.com





FireTemp® Shapes and Blanks used to Fabricate Hobbos

Pipe size	L=12" Vertical Load(lbs)	L=18" Vertical Load(lbs)	Insulation Thickness								
			1"			1-1/2"			2"		
			W	O.D.	H	W	O.D.	H	W	O.D.	H
1/2"	70	139	3"	3-1/8"	4"	3"	4-1/4"	4"	3"	5-1/4"	4"
3/4"	87	174	3"	3-1/8"	4"	3"	4-1/4"	4"	3"	5-1/4"	4"
1"	109	218	3"	3-3/4"	4"	3"	4-3/4"	4"	3"	5-15/16"	4"
1-1/4"	138	275	3"	3-3/4"	4"	3"	4-3/4"	4"	3"	5-15/16"	4"
1-1/2"	158	315	3"	4-1/4"	4"	3"	5-1/4"	4"	3"	6-7/8"	4"
2"	197	394	4"	5"	4"	4"	6-1/16"	4"	4"	7-1/4"	4"
2-1/2"	238	477	4"	5-1/2"	4"	4"	7-1/8"	4"	4"	8-1/8"	4"
3"	290	580	4"	6-1/16"	4"	4"	7-1/8"	4"	4"	8-1/8"	4"
3-1/2"	332	663	4"	7-1/8"	4"	4"	8-1/8"	4"	4"	9-1/8"	4"
4"	373	746	4"	7-1/8"	4"	4"	8-1/8"	4"	4"	9-1/8"	4"
5"	461	922	4"	8-1/8"	4"	4"	9-1/8"	4"	4"	10-1/8"	4"
6"	549	1098	6"	9-3/8"	4"	6"	10-3/8"	4"	6"	11-1/2"	4"
8"	715	1430	6-1/2"	11-1/2"	4"	5-7/8"	12-1/2"	4"	6-3/8"	13-1/2"	4"
10"	1782	2673	7-1/2"	13-1/2"	4"	6-7/8"	14-1/2"	4"	7-3/8"	15-1/2"	4"
12"	2114	3171	8-1/8"	14-3/4"	4"	7-1/2"	15-3/4"	4"	8-1/2"	17-3/4"	4"
14"	2321	3482	9-1/2"	17"	4"	8-1/2"	18"	4"	9"	19"	4"
16"	2653	3979	10-1/2"	19"	4"	9-1/2"	20"	4"	10"	21"	4"
18"	2984	4476	11-1/2"	21"	4"	10-1/2"	22"	4"	11"	23"	4"
20"	3316	4974	12-1/2"	23"	4"	11-1/2"	24"	4"	12"	25"	4"
24"	5969	7958	14-1/2"	27"	4"	13-1/2"	28"	4"	14"	29"	4"
26"	6466	8621	16-1/4"	29-1/2"	4"	14-1/2"	30-1/2"	4"	15"	31-1/2"	4"
28"	6963	9284	17-1/4"	31-1/2"	4"	15-1/2"	32-1/2"	4"	16"	33-1/2"	4"
30"	7461	9948	18-1/4"	33-1/2"	4"	16-1/2"	34-1/2"	4"	17"	35-1/2"	4"
32"	7958	10611	19-1/4"	35-1/2"	4"	17-1/2"	36-1/2"	4"	18"	37-1/2"	4"
34"	8455	11274	20-1/4"	37-1/2"	4"	18-1/2"	38-1/2"	4"	19"	39-1/2"	4"
36"	8953	11937	21-1/4"	39-1/2"	4"	19-1/2"	40-1/2"	4"	20"	41-1/2"	4"
40"	9948	13263	23-1/4"	43-1/2"	4"	21-1/2"	44-1/2"	4"	22"	45-1/2"	4"
42"	10445	13927	24-1/4"	42-1/2"	4"	22-1/2"	46-1/2"	4"	23"	47-1/2"	4"

Pipe size	L=12" Vertical Load(lbs)	L=18" Vertical Load(lbs)	Insulation Thickness											
			2 1/2"			3"			3 1/2"			4"		
			W	O.D.	H	W	O.D.	H	W	O.D.	H	W	O.D.	H
1/2"	70	139	3"	6-7/8"	4"	3"	7-7/8"	4"	3"	8-7/8"	6"	3"	9-7/8"	6"
3/4"	87	174	3"	6-7/8"	4"	3"	7-7/8"	4"	3"	8-7/8"	6"	3"	9-7/8"	6"
1"	109	218	3"	6-7/8"	4"	3"	7-7/8"	4"	3"	8-7/8"	6"	3"	9-7/8"	6"
1-1/4"	138	275	3"	6-7/8"	4"	3"	7-7/8"	4"	3"	8-7/8"	6"	3"	9-7/8"	6"
1-1/2"	158	315	3"	7-7/8"	4"	3"	8-7/8"	4"	3"	9-7/8"	6"	3"	11-1/2"	6"
2"	197	394	4"	8-1/8"	4"	4"	9-1/8"	4"	4"	10-1/8"	6"	4"	11-1/2"	6"
2-1/2"	238	477	4"	9-1/8"	4"	4"	10-1/8"	4"	4"	11-1/4"	6"	4"	12-1/4"	6"
3"	290	580	4"	9-1/8"	4"	4"	10-1/8"	4"	4"	11-1/4"	6"	4"	12-1/4"	6"
3-1/2"	332	663	4"	10-1/8"	4"	4"	11-1/8"	4"	4"	12-1/4"	6"	4"	13-1/4"	6"
4"	373	746	4"	10-1/8"	4"	4"	11-1/8"	4"	4"	12-1/4"	6"	4"	13-1/4"	6"
5"	461	922	4"	11-1/8"	4"	4"	12-1/4"	4"	4"	13-1/2"	6"	4"	14-1/2"	6"
6"	549	1098	6"	12-1/2"	4"	6"	13-1/2"	4"	6"	14-3/4"	6"	6"	15-3/4"	6"
8"	715	1430	7"	14-3/4"	4"	7-1/2"	15-3/4"	4"	8"	16-3/4"	6"	8-1/2"	17-3/4"	6"
10"	1782	2673	8"	16-3/4"	4"	8-1/2"	17-3/4"	4"	9"	18-3/4"	6"	9-1/2"	19-3/4"	6"
12"	2114	3171	9"	18-3/4"	4"	9-1/2"	19-3/4"	4"	10"	20-3/4"	6"	10-1/2"	21-3/4"	6"
14"	2321	3482	9-1/2"	20"	4"	10"	21"	4"	10-1/2"	22"	6"	11"	23"	6"
16"	2653	3979	10-1/2"	22"	4"	11"	23"	4"	11-1/2"	24"	6"	12"	25"	6"
18"	2984	4476	11-1/2"	24"	4"	12"	25"	4"	12-1/2"	26"	6"	13"	27"	6"
20"	3316	4974	12-1/2"	26"	4"	13"	27"	4"	13-1/2"	28"	6"	14"	29"	6"
24"	5969	7958	14-1/2"	30"	4"	15"	31"	4"	15-1/2"	32"	6"	16"	33"	6"
26"	6466	8621	15-1/2"	32-1/2"	4"	16"	33-1/2"	4"	16-1/2"	34-1/2"	6"	17"	35-1/2"	6"
28"	6963	9284	16-1/2"	34-1/2"	4"	17"	35-1/2"	4"	17-1/2"	36-1/2"	6"	18"	37-1/2"	6"
30"	7461	9948	17-1/2"	36-1/2"	4"	18"	37-1/2"	4"	18-1/2"	38-1/2"	6"	19"	39-1/2"	6"
32"	7958	10611	18-1/2"	38-1/2"	4"	19"	39-1/2"	4"	19-1/2"	40-1/2"	6"	20"	41-1/2"	6"
34"	8455	11274	19-1/2"	40-1/2"	4"	20"	41-1/2"	4"	20-1/2"	42-1/2"	6"	21"	43-1/2"	6"
36"	8953	11937	20-1/2"	42-1/2"	4"	21"	43-1/2"	4"	21-1/2"	44-1/2"	6"	22"	45-1/2"	6"
40"	9948	13263	22-1/2"	46-1/2"	4"	23"	47-1/2"	4"	23-1/2"	48-1/2"	6"	24"	49-1/2"	6"
42"	10445	13927	23-1/2"	48-1/2"	4"	24"	49-1/2"	4"	24-1/2"	50-1/2"	6"	25"	51-1/2"	6"