



Basic Insulated Shoe Designs

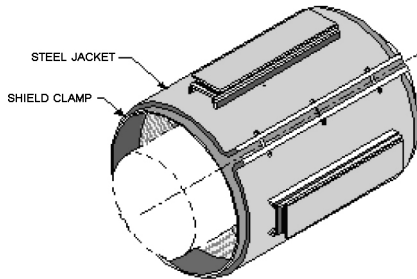


FIG. 4500 - HOT SHOE DESIGN
MARINITE®/CALCIUM SILICATE

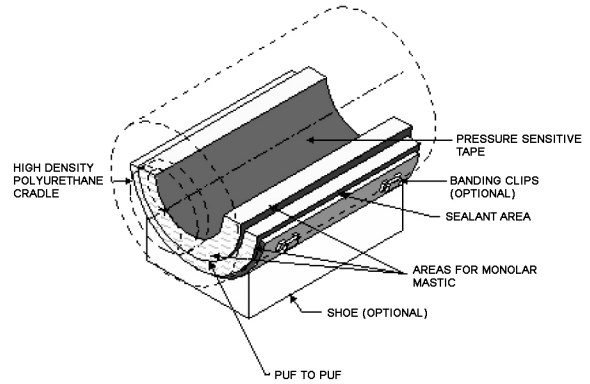


FIG. 4600 - COLD SHOE DESIGN
POLYURETHANE

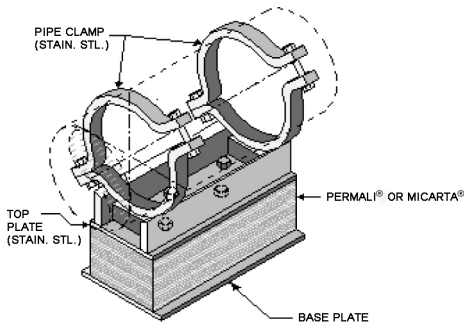


FIG. 4700 - COLD SHOE DESIGN
PERMALI® / MICARTA®

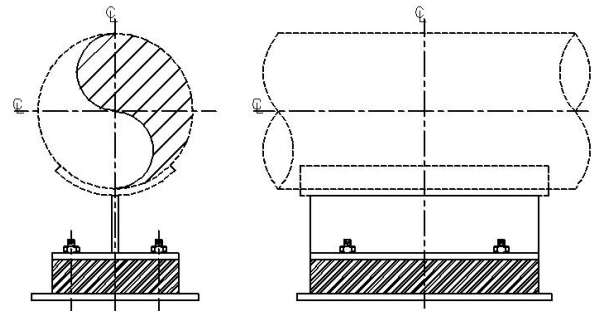


FIG. 4800 - COLD SHOE DESIGN
G10

SIZE RANGE: For use with 1/2" through 72", most designs. Insulation thicknesses of 1", 1 1/2", 2", 2 1/2", 3", 3 1/2", 4", and larger sizes where specified.

HOW TO SIZE: Refer to "Insulation Chart", on the next page for sizing the insulation material.

ORDERING: Specify figure number, pipe size, insulation thickness, and insulating material.

Example:

PTP-4700-4-3-B

- 4700 = Type of insulated shoe (cold)
- 4 = Nominal pipe size
- 3 = Insulation thickness
- B = Insulating material (micarta®)