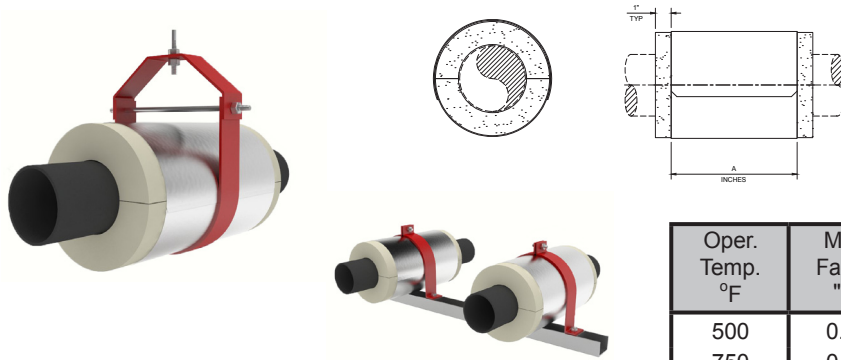


Model A4000 Insulated Pipe Support

Extra Heavy Bottom Jacket
with extended Insulation



Oper. Temp. °F	Mult. Factor "F"
500	0.90
750	0.75
1000	0.50
1200	0.30

TABLE III

Hardware sold separately

Note: For higher load ratings, see A6000, A9000.

The load ratings represent average values obtained in accordance with accepted methods and are subject to normal manufacturing variations. Dimensions and ratings are subject to change without notice.

- a) To develop maximum load rating, width of support surface should be at least 1/2 of dimension "A" in Table II.
- b) Divide "A" in Table II by 6 to find maximum allowable travel on pipe roll (+/- from centered position).
- c) To develop maximum load rating, use band, ring or clevis hanger with manufacturer's load rating equal to or greater than values shown in Table I.
- d) To obtain load ratings for operating temperatures of 500°F and higher, multiply load rating by factor "F" in Table III.

Pipe Size	MAXIMUM LOAD RATING (LBS)		
	On Flat Surface (a) (d)	On Pipe Roll (b) (d)	In Ring or Clevis Hanger (c) (d)
1/2	40	35	45
3/4	45	40	50
1	65	60	70
1 1/4	80	70	90
1 1/2	110	100	120
2	140	125	155
2 1/2	165	150	220
3	200	180	275
3 1/2	250	225	325
4	300	270	375
5	400	See A6000	475
6	450		575
8	500		800
10	525		1100
12	575		1300
14	600		1500
16	625		1700
18	650		1900
20	700		2100
24	775		2400

TABLE I

Contact factory for other dimensions, temperatures, and loads.
Available in all insulation thicknesses.

Iron Pipe Size	Insulation Thickness																Copper Tubing Size O.D.		
	1/2		3/4		1		1 1/2		2		2 1/2		3		3 1/2			4	
	A	B	A	B	A	B	A	B	A	B	A	B	A	B	A	B		A	B
1/2 - 1 1/2	6	24	6	24	6	24	6	24	6	24	6	24	6	24	6	24	6	24	5/8-1 5/8
2	6	24	6	24	6	24	6	24	6	24	6	24	6	24	6	24	6	24	2 1/8
2 1/2 - 4	6	20	6	20	6	20	6	20	6	20	6	20	9	20	9	20	9	20	2 5/8 - 4 1/8
5					6	20	6	20	6	20	6	20	9	20	9	20	9	20	5 1/8
6 - 7					6	20	6	20	6	20	6	20	9	16	9	16	9	16	6 1/8
8 - 10									9	16	9	16	9	16	9	16	9	16	8 1/8 - 10 1/8
12 - 18									12	16	12	16	12	16	12	16	12	16	12 1/8
20 - 24									18	16	18	16	18	16	18	16	18	16	

TABLE II "B" = gauge of sheet metal jacket (bottom jacket approx. 2 X ga. of top jacket)

Application:

Model A4000 is designed for use on:

- Cold water
- Chilled water

Intended for installation on:

- Flat surfaces
- Pipe rolls
- Band, ring or clevis pipe hanger

Temperature Range:

Standard: +40°F to +1200°F CalSil Insulation
Note: Up to 1800°F available upon request.
Cryogenic: -275°F to +275°F Urethane Insulation.
 Add U after the model number (i.e., A4000U)

Features:

- Compact
- Easy installation
- Eliminates welding to pipe
- Overlapping galvanized sheet metal jacket
- Double thickness bottom jacket for added structural strength and abrasive wear resistance
- Minimizes heat loss and/or condensation
- Calcium silicate insulation extends 1" beyond the galvanized sheet metal jacket providing for an easier vapor barrier joint with the pipe
- Copper tubing sizes available
- Other I.D.'s and/or O.D.'s available on request
- Clamps available (see G-series)
- Clevis available (see PTP fig. 83)

Performance test results on file:
Available upon request.

Material Data:

- **A4000:** Applicable PSI spec. doc.: No. 205
- **Insulation:** Calcium silicate asbestos-free, treated with water repellent
- **Jackets:** Galvanized steel ASTM A-653
- **Glue:** Industrial contact adhesive

Formal submittal sheets available