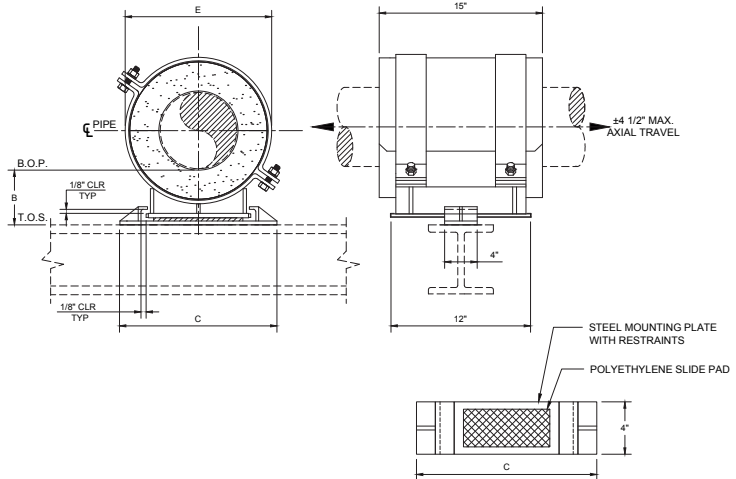
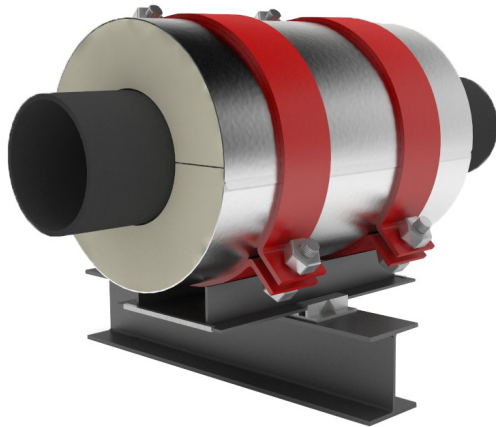


Model B4300 Guided Insulated Pipe Support

Heavy Duty,
Base Mounted



Contact factory for other dimensional, temperature, load, or axial travel requirements. If lateral load is greater than 20% of vertical load, contact factory. Available in all insulation thickness.

The load ratings represent average values obtained in accordance with accepted test methods and are subject to normal manufacturing variations. Dimensions and ratings are subject to change without notice.

Note: For higher load rating contact factory - For lateral travel, see: B6300.

Pipe Size	Vert. Load	Insul. Thk. = 1"			Insul. Thk. = 1-1/2"			Insul. Thk. = 2"			Insul. Thk. = 2-1/2"			Insul. Thk. = 3"			Insul. Thk. = 4"			Insul. Thk. = 5"		
		B	C	E	B	C	E	B	C	E	B	C	E	B	C	E	B	C	E	B	C	E
1/2	550	4	6	3.375	4	6.5	4.5	4	7	5.5	4	8.5	7.125	6	9	8.125	6	11	10.125	8	12.5	12.25
3/4	700	4	6	3.375	4	6.5	4.5	4	7	5.5	4	8.5	7.125	6	9	8.125	6	11	10.125	8	12.5	12.25
1	900	4	6.5	4	4	7	5	4	7.5	6.062	4	8.5	7.125	6	9	8.125	6	11	10.125	8	12.5	12.25
1 1/2	1300	4	6.5	4.5	4	7	5.5	4	8.5	7.125	4	9	8.125	6	10	9.125	6	12	11.25	8	13.5	13.25
2	1500	4	7	5	4	7.5	6.0625	4	8.5	7.125	4	9	8.125	6	10	9.125	6	12	11.25	8	13.5	13.25
2 1/2	1800	4	7	5.5	4	8.5	7.125	4	9	8.125	4	10	9.125	6	11	10.125	6	12.5	12.375	8	14	14.625
3	2100	4	7.5	6.187	4	8.5	7.125	4	9	8.125	4	10	9.125	6	11	10.125	6	12.5	12.375	8	14	14.625
4	3350	4	8.5	7.25	4	9	8.25	4	10	9.25	4	11	10.25	6	12	11.375	6	13.5	13.375	8	15	15.625
5	4200	4	10	8.5	4	11	9.5	4	12	10.5	4	13	11.625	6	13.5	12.625	6	15	14.875	8	16.5	16.875
6	5100	4	11	9.5	4	12	10.5	4	13	11.625	4	13.5	12.625	6	14.5	13.625	6	16	15.875	8	17.5	17.875
8	6800	4	13.5	11.625	4	14	12.625	4	15	13.625	6	15.5	14.875	6	16.5	15.875	6	18	18.125	8	19	20.125
10	8000	4	15	13.875	4	15.5	15.125	4	16.5	16.125	6	17	17.125	6	18	18.125	6	19	20.125	8	20.5	22.125
12	8800	4	17	16.125	4	17.5	17.125	4	18.5	18.125	6	19	19.125	6	19.5	20.125	6	21	22.125	8	22.5	24.125
14	10000	4	17.5	17.125	4	18.5	18.125	4	19	19.125	6	19.5	20.125	6	20.5	21.125	6	22	23.125	8	23	25.125
16	11600	4	20.5	19.375	4	21	20.375	6	22	21.375	6	22.5	22.375	6	23.5	23.375	8	24.5	25.375	8	26	27.375
18	12800	4	22	21.375	4	22.5	22.375	6	23.5	23.375	6	24	24.375	6	24.5	25.375	8	26	27.375	8	27.5	29.375
20	13600	4	23.5	23.375	4	24	24.375	6	24.5	25.375	6	25.5	26.375	6	26	27.375	8	27.5	29.375	8	29	31.375
24	14400	4	26	27.375	4	27	28.375	6	27.5	29.375	6	28.5	30.375	6	29	31.375	8	30.5	33.375	8	32	35.375
30	18800	4	32.5	33.625	6	33	34.625	6	34	35.625	6	34.5	36.625	6	35	37.625	8	36.5	39.625	8	38	41.625
36	22000	4	36.5	40.125	6	37.5	41.125	6	38	42.125	6	38.5	43.125	6	39.5	44.125	8	41	46.125	8	42.5	48.125
42	24800	4	41	46.125	6	41.5	47.125	6	42.5	48.125	6	43	49.125	6	43.5	50.125	8	45	52.125	8	46.5	54.125

Application:

Model B4300 is designed for use on:

- Hot water
- Cold water
- Chilled water
- Dual temperature
- Steam
- Air
- Gas
- Vacuum

Intended for installation on:

- Flat surfaces

Temperature Range:

Standard: +40°F to +1200°F CalSil Insulation

Note: Up to 1800°F available upon request.

Cryogenic: -275°F to +275°F Urethane Insulation.

Add U after the model number (i.e., B4300U)

Features:

- All pipe sizes
- Easy installation
- Eliminates welding to pipe
- Overlapping galvanized sheet metal jacket
- Insulating structural inserts for load transfer
- Stainless steel to UHMW polyethylene slide
- Other I.D.'s and/or O.D.'s available on request
- Factory mounted polyethylene slide pad on steel mounting plate

Performance test results on file:

Available upon request.

Material Data:

- B4300:** Applicable PSI spec. doc.: No. 209
 - Insulation:** Calcium silicate asbestos-free, treated with water repellant
 - Jackets:** Galvanized steel ASTM A-653
 - Glue:** Industrial contact adhesive
 - Structural Inserts:** High-density calcium silicate asbestos free, treated with water repellant
 - Steel Straps/Base:** Carbon Steel ASTM A-36
 - Fasteners:** ASTM A-307 plated
 - Slide Pad:** UHMW Polyethylene (PTFE optional)
 - Coating:** Primer coated or hot dipped galvanized
- Other coatings available upon request

Formal submittal sheets available