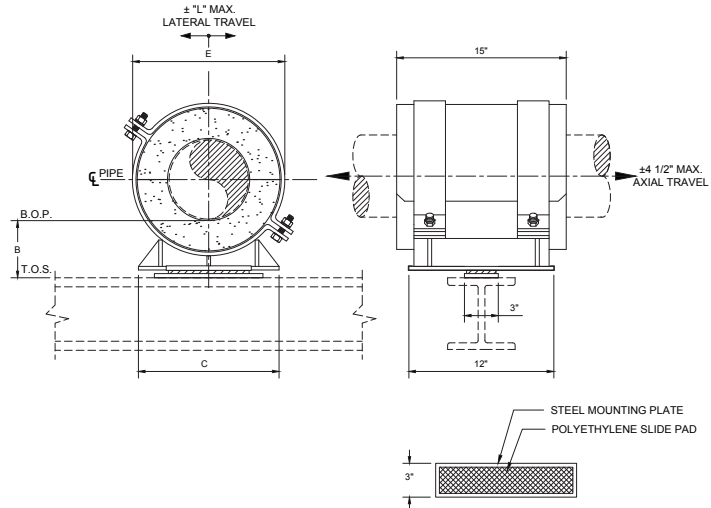
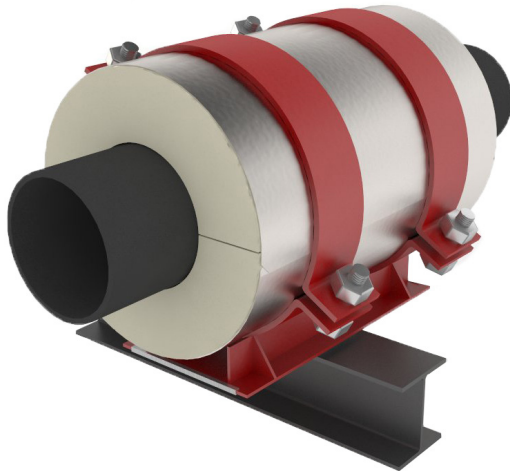


# Model B6300 Wide Base Sliding Insulated Pipe Support

Heavy Duty,  
Base Mounted



Contact factory for other dimensional, temperature, load, or axial travel requirements. Available in all insulation thickness.

The load ratings represent average values obtained in accordance with accepted test methods and are subject to normal manufacturing variations. Dimensions and ratings are subject to change without notice.

Note: For higher load rating contact factory - For lateral restraint, see: B4300 - For minimal lateral travel, see: B2300.

Pipe Size	Vert. Load	Insul. Thk. = 1" L = +/- 1-1/2			Insul. Thk. = 1-1/2" L = +/- 1-3/4			Insul. Thk. = 2" L = +/- 2			Insul. Thk. = 2-1/2" L = +/- 2-1/4			Insul. Thk. = 3" L = +/- 2-1/2			Insul. Thk. = 4" L = +/- 3			Insul. Thk. = 5" L = +/- 3-1/2		
		B	C	E	B	C	E	B	C	E	B	C	E	B	C	E	B	C	E	B	C	E
1	550	4	5.25	3.375	4	6.25	4.5	4	7.25	5.5	4	8.75	7.125	6	9.75	8.125	6	11.75	10.125	8	13.75	12.25
	700	4	5.25	3.375	4	6.25	4.5	4	7.25	5.5	4	8.75	7.125	6	9.75	8.125	6	11.75	10.125	8	13.75	12.25
	900	4	5.75	4	4	6.75	5	4	7.75	6.062	4	8.75	7.125	6	9.75	8.125	6	11.75	10.125	8	13.75	12.25
2	1300	4	6.25	4.5	4	7.25	5.5	4	8.75	7.125	4	9.75	8.125	6	10.75	9.125	6	12.75	11.25	8	14.75	13.25
	1500	4	6.75	5	4	7.75	6.0625	4	8.75	7.125	4	9.75	8.125	6	10.75	9.125	6	12.75	11.25	8	14.75	13.25
	1800	4	7.25	5.5	4	8.75	7.125	4	9.75	8.125	4	10.75	9.125	6	11.75	10.125	6	13.75	12.375	8	15.75	14.625
3	2100	4	7.75	6.187	4	8.75	7.125	4	9.75	8.125	4	10.75	9.125	6	11.75	10.125	6	13.75	12.375	8	15.75	14.625
	3350	4	8.25	7.25	4	9.25	8.25	4	10.25	9.25	4	11.25	10.25	6	12.25	11.375	6	14.25	13.375	8	16.25	15.625
	4200	4	9	8.5	4	10	9.5	4	11	10.5	4	12	11.625	6	13	12.625	6	15	14.875	8	17	16.875
4	5100	4	9.5	9.5	4	10.5	10.5	4	11.5	11.625	4	12.5	12.625	6	13.5	13.625	6	15.5	15.875	8	17.5	17.875
	6800	4	10.5	11.625	4	11.5	12.625	4	12.5	13.625	6	13.5	14.875	6	14.5	15.875	6	16.5	18.125	8	18.5	20.125
	8000	4	11.5	13.875	4	12.5	15.125	4	13.5	16.125	6	14.5	17.125	6	15.5	18.125	6	17.5	20.125	8	19.5	22.125
5	8800	4	12.5	16.125	4	13.5	17.125	4	14.5	18.125	6	15.5	19.125	6	16.5	20.125	6	18.5	22.125	8	20.5	24.125
	10000	4	13	17.125	4	14	18.125	4	15	19.125	6	16	20.125	6	17	21.125	6	19	23.125	8	21	25.125
	11600	4	14	19.375	4	15	20.375	6	16	21.375	6	17	22.375	6	18	23.375	8	20	25.375	8	22	27.375
6	12800	4	15	21.375	4	16	22.375	6	17	23.375	6	18	24.375	6	19	25.375	8	21	27.375	8	23	29.375
	13600	4	16	23.375	4	17	24.375	6	18	25.375	6	19	26.375	6	20	27.375	8	22	29.375	8	24	31.375
	14400	4	18.5	27.375	4	19.5	28.375	6	20	29.375	6	21	30.375	6	22	31.375	8	24	33.375	8	26	35.375
7	18800	4	23.5	33.625	6	24	34.625	6	25	35.625	6	25.5	36.625	6	26	37.625	8	27.5	39.625	8	29	41.625
	22000	4	27.5	40.125	6	28.5	41.125	6	29	42.125	6	29.5	43.125	6	30.5	44.125	8	32	46.125	8	33.5	48.125
	24800	4	32	46.125	6	32.5	47.125	6	33.5	48.125	6	34	49.125	6	34.5	50.125	8	36	52.125	8	37.5	54.125

## Application:

Model B6300 is designed for use on:

- Hot water
- Cold water
- Chilled water
- Dual temperature
- Steam
- Air
- Gas
- Vacuum

Intended for installation on:

- Flat surfaces

## Temperature Range:

**Standard:** +40°F to +1200°F CalSil Insulation

**Note:** Up to 1800°F available upon request.

**Cryogenic:** -275°F to +275°F Urethane Insulation.

Add U after the model number (i.e., B6300U)

## Features:

- All pipe sizes
- Easy installation
- Eliminates welding to pipe
- Overlapping galvanized sheet metal jacket
- Insulating structural inserts for load transfer
- Stainless steel to UHMW polyethylene slide
- Other I.D.'s and/or O.D.'s available on request
- Factory mounted polyethylene slide pad on steel mounting plate

Performance test results on file:

Available upon request.

## Material Data:

- B6300:** Applicable PSI spec. doc.: No. 209
  - Insulation:** Calcium silicate asbestos-free, treated with water repellent
  - Jackets:** Galvanized steel ASTM A-653
  - Glue:** Industrial contact adhesive
  - Structural Inserts:** High-density calcium silicate asbestos free, treated with water repellent
  - Steel Straps/Base:** Carbon steel ASTM A-36
  - Fasteners:** ASTM A-307 plated
  - Slide Pad:** UHMW Polyethylene (PTFE optional)
  - Coating:** Primer coated or hot dipped galvanized
- Other coatings available upon request

Formal Submittal Sheets available