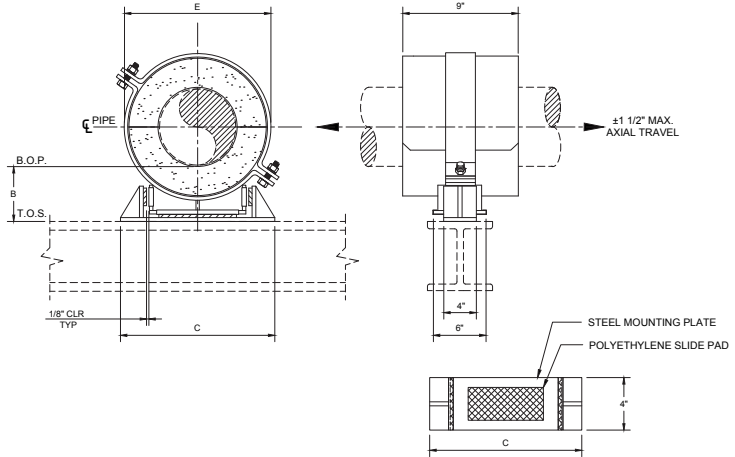
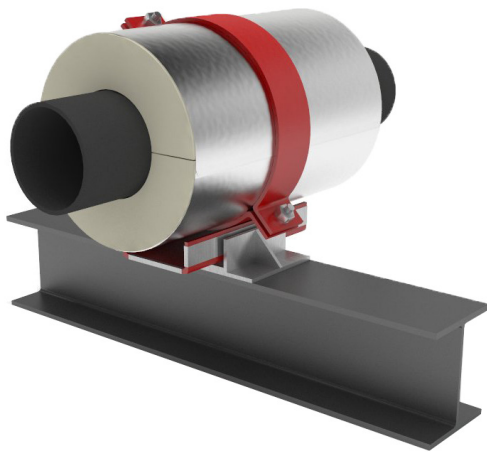


Model B7100 Laterally Restrained Insulated Pipe Support

Heavy Duty,
Base Mounted



Contact factory for other dimensional, temperature, load, or axial travel requirements. If lateral load is greater than 50% of actual vertical load, contact factory. Available in all insulation thickness.

The load ratings represent average values obtained in accordance with accepted test methods and are subject to normal manufacturing variations. Dimensions and ratings are subject to change without notice.

Note: For higher load ratings, see: B7200 - For lateral restraint, see: B8100 - For minimal lateral travel, see: B5100.

Pipe Size	Vert. Load	Insul. Thk. = 1"			Insul. Thk. = 1-1/2"			Insul. Thk. = 2"			Insul. Thk. = 2-1/2"			Insul. Thk. = 3"			Insul. Thk. = 4"			Insul. Thk. = 5"		
		B	C	E	B	C	E	B	C	E	B	C	E	B	C	E	B	C	E	B	C	E
1/2	250	4	5	3.25	4	5.5	4.375	4	6	5.375	4	7.5	7	6	8	8	6	10	10	8	11.5	12.125
3/4	310	4	5	3.25	4	5.5	4.375	4	6	5.375	4	7.5	7	6	8	8	6	10	10	8	11.5	12.25
1	400	4	5.5	3.875	4	6	5	4	6.5	6.062	4	7.5	7	6	8	8	6	10	10	8	11.5	12.25
1 1/2	580	4	5.5	4.5	4	6	5.5	4	7.5	7.125	4	8	8.125	6	9	9.125	6	11	11.25	8	12.5	13.25
2	670	4	6	5	4	6.5	6.0625	4	7.5	7.125	4	8	8.125	6	9	9.125	6	11	11.25	8	12.5	13.25
2 1/2	820	4	6.5	5.5	4	8	7.125	4	8.5	8.125	4	9.5	9.125	6	10.5	10.125	6	12	12.25	8	13.5	14.5
3	950	4	7	6.187	4	8	7.125	4	8.5	8.125	4	9.5	9.125	6	10.5	10.125	6	12	12.375	8	13.5	14.625
4	1500	4	8.5	7.25	4	9	8.25	4	10	9.25	4	11	10.25	6	12	11.375	6	13.5	13.375	8	15	15.625
5	1880	4	9.5	8.5	4	10.5	9.5	4	11.5	10.5	4	12.5	11.625	6	13	12.625	6	14.5	14.875	8	16	16.875
6	2280	4	10	9.5	4	11	10.5	4	12	11.625	4	12.5	12.625	6	13.5	13.625	6	15	15.875	8	16.5	17.875
8	3000	4	13	11.625	4	13.5	12.625	4	14.5	13.625	6	15	14.875	6	16	15.875	6	17.5	18.125	8	18.5	20.125
10	3600	4	14.5	13.875	4	15	15.125	4	16	16.125	6	16.5	17.125	6	17.5	18.125	6	18.5	20.125	8	20	22.125
12	3900	4	16.5	16.125	4	17	17.125	4	18	18.125	6	18.5	19.125	6	19	20.125	6	20.5	22.125	8	22	24.125
14	4500	4	17.5	17.125	4	18.5	18.125	4	19	19.125	6	19.5	20.125	6	20.5	21.125	6	22	23.125	8	23	25.125
16	5200	4	19	19.375	4	19.5	20.375	6	20.5	21.375	6	21	22.375	6	22	23.375	6	23	25.375	8	24.5	27.375
18	5700	4	21	21.375	4	21.5	22.375	6	22.5	23.375	6	23	24.375	6	23.5	25.375	8	25	27.375	8	26.5	29.375
20	6100	4	22.5	23.375	4	23	24.375	6	23.5	25.375	6	24.5	26.375	6	25	27.375	8	26.5	29.375	8	28	31.375
24	6400	4	25.5	27.375	4	26.5	28.375	6	27	29.375	6	28	30.375	6	28.5	31.375	8	30	33.375	8	31.5	35.375
30	8400	4	31.5	33.625	6	32	34.625	6	33	35.625	6	33.5	36.625	6	34	37.625	8	35.5	39.625	8	37	41.625
36	9800	4	36	40.125	6	37	41.125	6	37.5	42.125	6	38	43.125	6	39	44.125	8	40.5	46.125	8	42	48.125
42	11100	4	41.5	46.125	6	42	47.125	6	43	48.125	6	43.5	49.125	6	44	50.125	8	45.5	52.125	8	47	54.125

Application:

Model B7100 is designed for use on:

- Hot water
- Cold water
- Chilled water
- Dual temperature
- Steam
- Air
- Gas
- Vacuum

Intended for installation on:

- Flat surfaces

Temperature Range:

Standard: +40°F to +1200°F CalSil Insulation
 Note: Up to 1800°F available upon request.
 Cryogenic: -275°F to +275°F Urethane Insulation.
 Add U after the model number (i.e., B7100U)

Features:

- All pipe sizes
- Easy installation
- Eliminates welding to pipe
- Overlapping galvanized sheet metal jacket
- Insulating structural inserts for load transfer
- Stainless steel to UHMW polyethylene slide
- Other I.D.'s and/or O.D.'s available on request
- Factory mounted polyethylene slide pad on steel mounting plate

Performance test results on file:
 Available upon request.

Material Data:

- B7100:** Applicable PSI spec. doc.: No. 209
- Insulation:** Calcium silicate asbestos-free, treated with water repellent
- Jackets:** Galvanized steel ASTM A-653
- Glue:** Industrial contact adhesive
- Structural Inserts:** High-density calcium silicate asbestos free, treated with water repellent
- Steel Straps/Base:** Carbon Steel ASTM A-36
- Fasteners:** ASTM A-307 plated
- Slide Pad:** UHMW Polyethylene (PTFE optional)
- Coating:** Primer coated or hot dipped galvanized

Other coatings available upon request

Formal submittal sheets available